

PRODUCT INFORMATION PACKET

Model No: 5KC49SN2158

Catalog No: C1424

1.5 HP General Purpose Motor, 1 phase, 3600 RPM, 115/230 V, 56C Frame, TEFC
Single Phase TEFC Motors





Nameplate Specifications

Output HP	1.50 Hp	Output KW	1.1 kW
Frequency	60 Hz	Voltage	115/230 V
Current	16.4,8.2 A	Speed	3450 rpm
Service Factor	1.3	Phase	1
Efficiency	74 %	Power Factor	0
Duty	Continuous	Insulation Class	B
KVA Code	H	Frame	56C
Enclosure	Totally Enclosed Fan Cooled	Thermal Protection	N/R
Ambient Temperature	40 °C	Drive End Bearing Size	6203
Opp Drive End Bearing Size	6203	UL	Recognized
CSA	Yes	CE	N

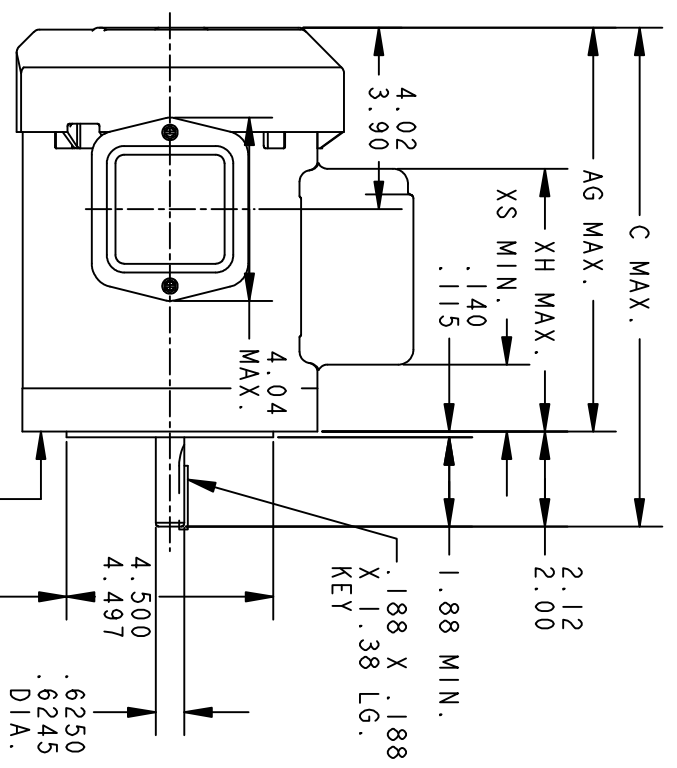
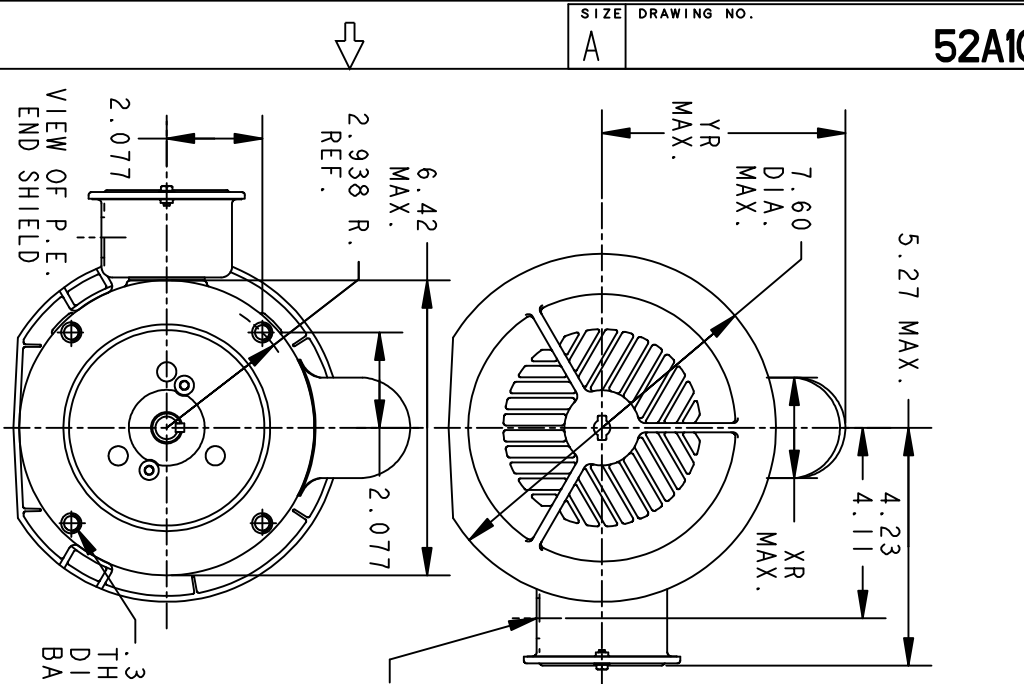
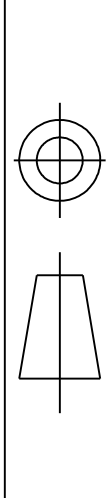
Technical Specifications

Electrical Type	Capacitor Start Induction Run	Starting Method	SM
Poles	2	Rotation	Counterclockwise/Clockwise
Mounting	Round	Motor Orientation	ANY
Drive End Bearing	LOCKED	Opp Drive End Bearing	Ball
Frame Material	Rolled Steel	Overall Length	12.93 in
Frame Length	7.68 in	Shaft Diameter	0.630 in
Shaft Extension	1.88 in		
Outline Drawing	52A109618P2	Connection Drawing	52A105381BA

This is an uncontrolled document once printed or downloaded and is subject to change without notice. Date Created:03/11/2020

REVISIONS

REV.	DESCRIPTION	DATE	APPROVED
1	ADDED P#2	05/13/94	M.A.M
2	ADDED P#3	08/12/05	GOVARDAN



ECCENTRICITY OF THIS SURFACE (WITH INDICATOR MOUNTED STATIONARY RELATIVE TO SHAFT) MUST NOT EXCEED .004 T.I.R.

P	TYPE	GE SIZE	NEMA FR.	C	AG	XH	YR	XR	XS	MIN. SHELL
3	KC	48	56C	13.68	11.56	7.65	5.47	2.40	1.90	8.43
2	KC	49	56C	12.93	10.81	7.56	5.45	2.40	1.90	7.68
1	KC	49	56C	12.40	10.28	7.50	5.45	2.40	1.90	7.15

FOR ADDITIONAL INFO REFER TO:	SIGNATURES	DATE
APPLIED PRACTICES	MODEL	
DIMENSIONS ARE IN INCHES	DETAIL	MA MARKS
TOLERANCE ON:	CHECKED	05/03/94
1 PL DECIMALS ± 0.1	ENGRG	
2 PL DECIMALS ± 0.02	MFG	
3 PL DECIMALS ± 0.005	QUALITY	
ANGLES ± 1.0	ISSUED	M.A.M.
FRACTIONS ±		05/03/94

REGAL-BELOTT CORPORATION

OUTLINE

FMF - 40 FRAME REDESIGN GENERAL PURPOSE MOTOR - TEFC - BALL BEARING - R2 END MOUNTED

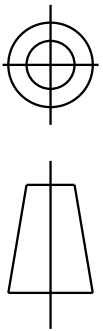
MATERIAL	SOLID MODEL: 52A109618
FINISH	ISSUED
	M.A.M.
	05/03/94

SCALE: 1.000 REF. No.:

SIZE DRAWING: A

52A109618

REV 2



REV.
3

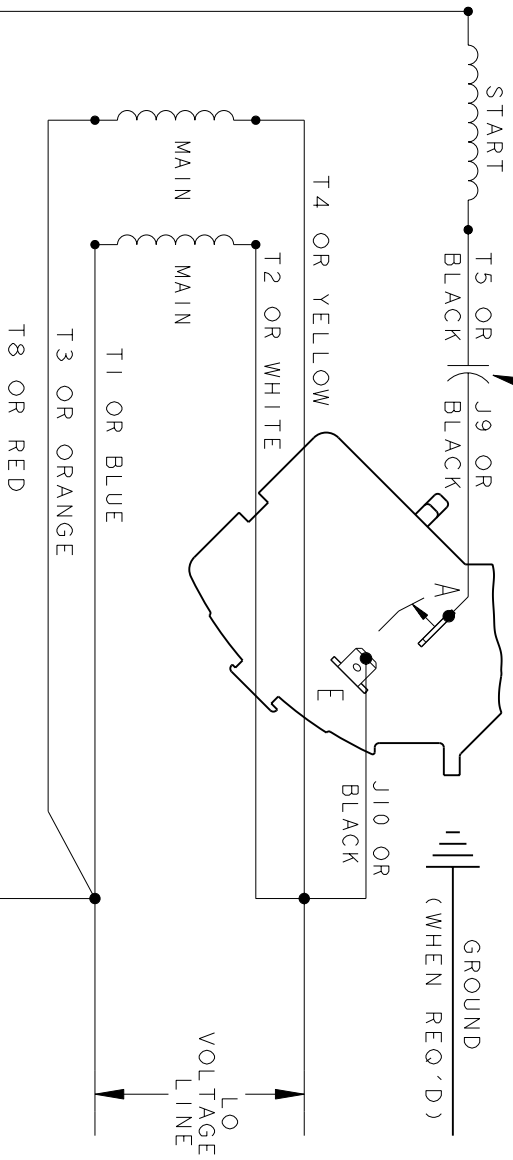
DESCRIPTION
UPDATED FORMAT

DATE
01/04/06

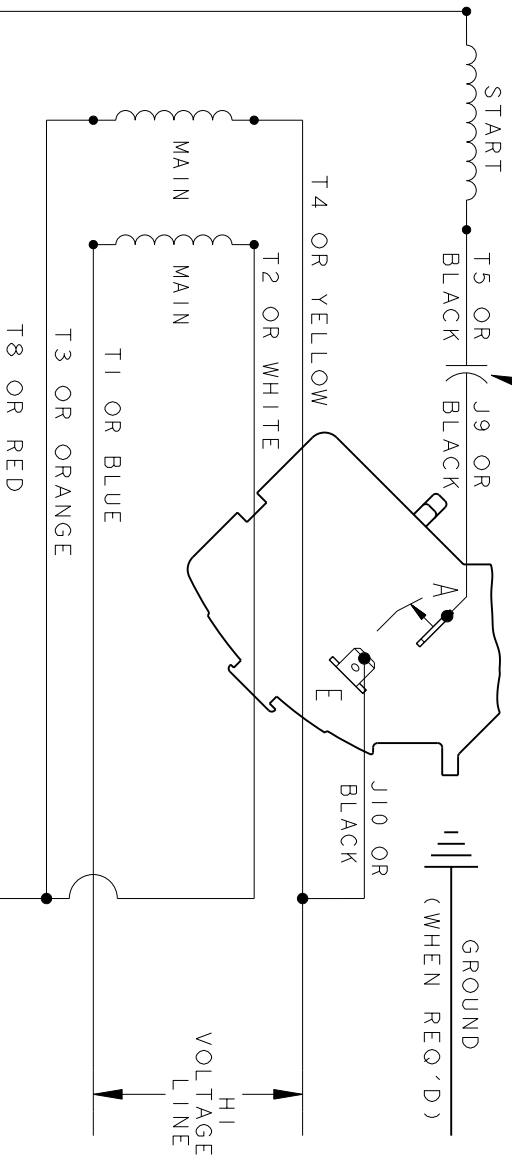
APPROVED
MAM

CCW/CW ROTATION - DUAL VOLTAGE
TYPE KC OR KH

CAPACITOR AS SHOWN FOR KC MOTORS ONLY. LEAD T5 BLACK CONNECTED DIRECTLY TO TERMINAL BOARD FOR KH MOTORS.



CAPACITOR AS SHOWN FOR KC MOTORS ONLY. LEAD T5 BLACK CONNECTED DIRECTLY TO TERMINAL BOARD FOR KH MOTORS.



NOTE#1 - TO REVERSE ROTATION, INTERCHANGE T8 RED AND J10 BLACK LEADS.
NOTE#2 - WHEN MORE THAN ONE CAPACITOR IS USED, CONNECT IN PARALLEL.

SWITCH (H) - 115D958AA

REF. DIAG. - 113A326

CONNECTION LABEL - 52X332917

SIGNATURES		DATE
MODEL	M.D. PAPER	06/29/87
DETAIL		
CHECKED		
ENGRG		
MFG		
QUALITY		
ISSUED	M.D.P.	06/29/87
APPLIED PRACTICES		
DIMENSIONS ARE IN INCHES		
MATERIAL	SOLID MODEL: 52A105381BA	



REGAL-BELOIT CORPORATION

TITLE
CONNECTION DIAGRAM

FME: 30 FRAME SWITCH REDESIGN

52A105381BA

REV
3

SCALE: 1.000 REF. No: .

SHEET 1 of 1